

Series MY

Mini type ON DELAY TIMER



AlltronicsPerú



!`= ^] `GZeZi^k'in/~%# 1 `d[; ##B Vn#
 !`GZhZi1 `b Z/~%#&HB Vn#
 !`Hzi^c\`6Xj gXn/~* i `d[; ##B Vn#
 !`8: `6eegdkZY/: B 8 `z: H9 / `AK9
 !`<j ^Y^c\`d[`B dYZa/



MY - 10S - 2P - 220V

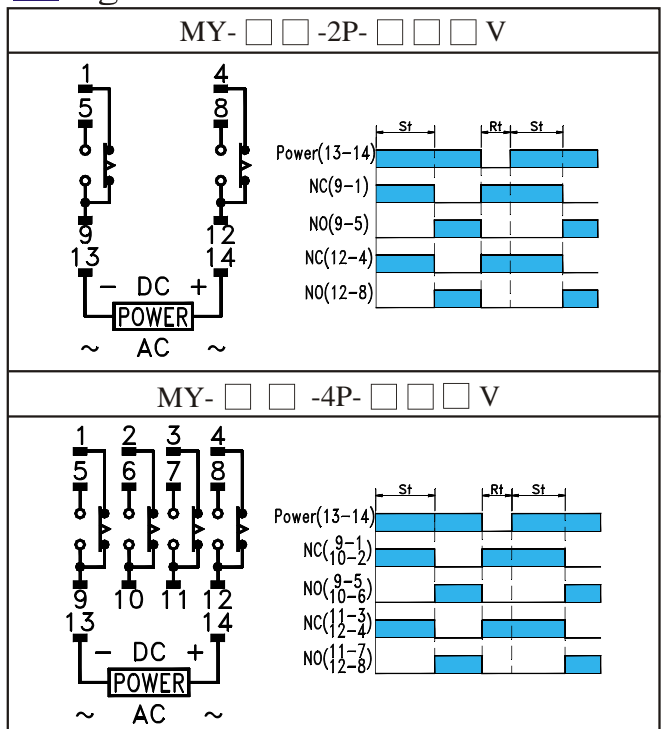
- ①
- ②
- ③
- ④

- ① : Series
- ② : Range
- ③ : Contact Poles
- ④ : Operating Voltage

Specification

MODEL	MY- □□ - □ P- □□□ V
Range	1S/3S/6S/10S/30S 60S/3M/6M/10M/30M 60M/3H/6H/10H/30H
Power Supply	12 or 24 VDC 110V or 220VAC 50/60Hz
Wattage Consump.	3VA max.
Control Output	Relay
Contact Rated	7A/250VAC
Repetivity	0.2% of F.S max.
Setting Accuracy	5% of F.S max.
Reset Time	0.1S max.
Insulation Strength	100MΩ/500VDC
Dielectric Strength	2.5KV/1 min.
Circumstance	-20°~ +60°C, 35~85%RH
Life of Relay	20 X 10 ⁶ Times

Timing Chart Connection & Timing



Dimension

